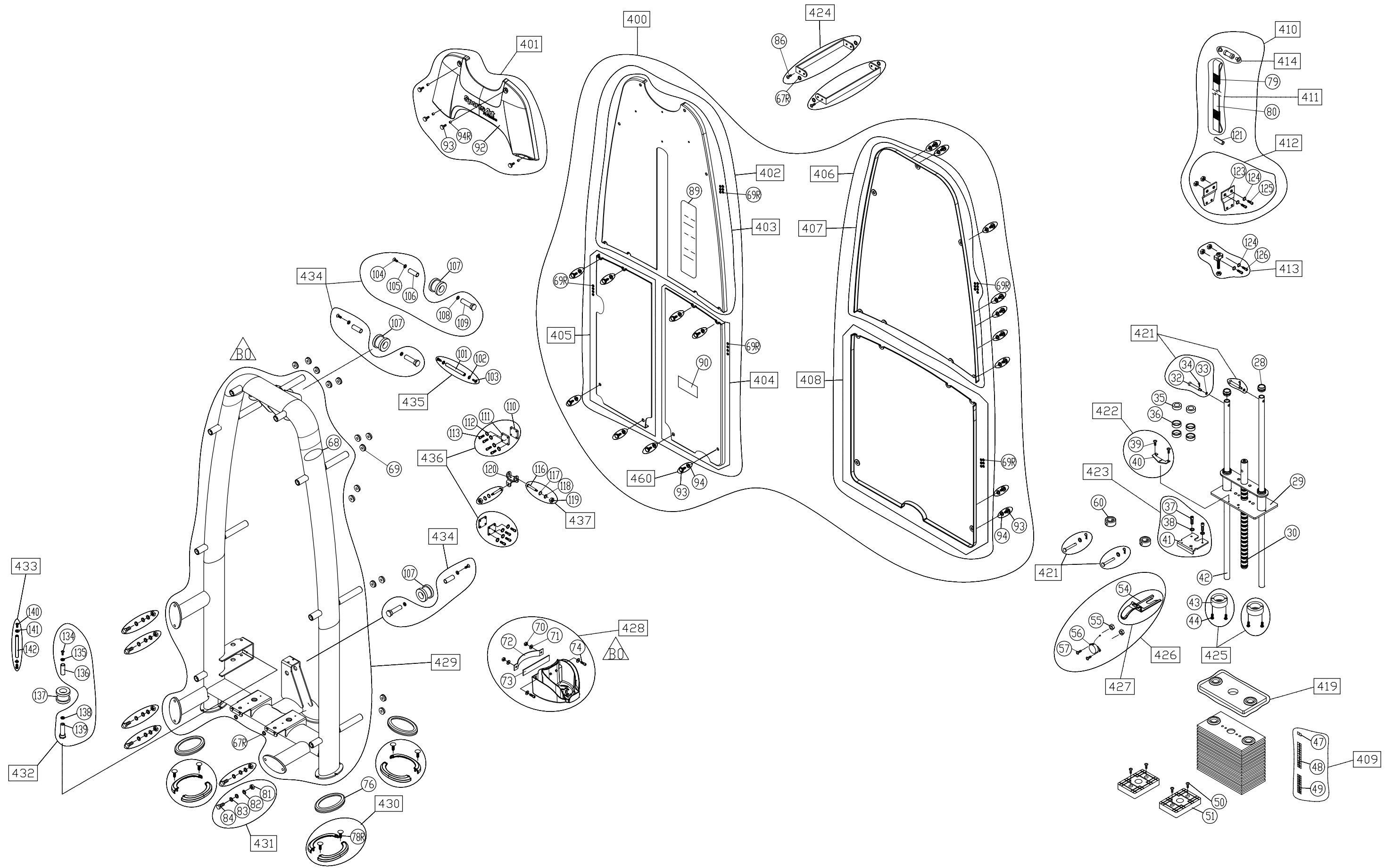


BBL	Description	QTY	Part Number	BBL	Description	QTY	Part Number
001	OWNER'S MANUAL	1	S956-001	101	AXLE	1	092-113-110
028	BUSHING	2	A911-36	102	WASHER - F (D20*D6.3*T1.5)	2	003-301-043
029	UPPER COUNTERWEIGHT	1	195-650-03L	103	SCREW - M/H (M6*P1.0*L15)	2	002-203-023
030	20-POSITION TUBE	1	095-613-011	104	SCREW - B/H (M8*P1.25*L20)	3	002-205-820
032	PIN	2	004-404-014	105	WASHER - F (D26*D8.3*T3)	3	003-301-027
033	WASHER - R (D20*D11.1*T2)	2	003-308-011	106	BUSHING	3	090-515-050
034	COTTER PIN	2	004-405-031	107	BELT PULLEY	3	A911-03
035	CUSHION RING	2	A911-37	108	O-RING	3	000-076-688
036	GUIDE RING	4	A911-38	109	PULLEY AXLE	3	090-513-111
037	SCREW -B/H (M8*P1.25*L18)	2	002-205-813	110	BELT BRACKET	2	195-610-61L
038	WASHER - SP (M8*T2.0)	2	003-302-006	111	BELT TIGHTENING HARDWARE B	2	195-910-03L
039	SCREW - B/H (M5*P0.8*L10)	2	002-205-510	112	WASHER - SP (M6*T1.5)	8	003-302-002
040	CABLE BRACKET	1	A911-055	113	SCREW - B/H (M6*P1.0*L20)	8	002-205-620
041	SET FORK	1	A912-26	116	AXLE	2	090-513-340
042	STACK GUIDE TUBE	2	192-611-24G	117	WASHER - F (D15*D6.5*T3.0)	2	003-301-004
043	CUSHION RING	2	A911-41	118	WASHER - SP (M6)	2	003-302-011
044	SCREW - B/H (M5*P0.8*L25)	4	S972-030	119	NUT - H/N (M5*P0.8)	2	001-101-070
047	PLATE STICKER - 10KG (GREEN)	1	S956-047	120	BELT BRACKET - GREY	1	195-150-11K
048	PLATE STICKER - 20-100KG (GREEN)	1	S956-048	121	BELT ROTATOR PIN A	1	S912-115
049	PLATE STICKER - 110-200KG (GREEN)	1	S956-049	123	BELT TIGHTENING HARDWARE A	2	190-510-14L
050	SCREW - B/H (M6*P1.0*L25)	4	002-205-622	124	WASHER - SP (M8*T2.0)	4	003-302-006
051	WEIGHT STACK CUSHION	2	A911-48	125	SCREW - B/H (M8*P1.25*L25)	2	002-205-822
054	SELECTOR FORK - NO CORD	1	190-553-052	126	SCREW - B/H (M8*P1.25*L40)	2	002-205-842
055	NUT - H (M4*P0.7)	2	001-102-090	134	SCREW - B/H (M8*P1.25*L20)	1	002-205-820
056	RETRACTING CABLE	1	DF-100-021	135	WASHER - F (D26*D8.3*T3)	1	003-301-027
057	SCREW - P (M4*P0.7*L25)	2	002-211-080	136	BUSHING	1	090-515-050
060	STOPPER	2	A926-26	137	BELT PULLEY	1	A911-03
067R	SINGLE-SIDED TAPE	6	000-065-350	138	O-RING	1	000-076-688
068	STICKER - WARNING	1	DF-101-020D	139	AXLE	1	095-613-290
069	SPACER	15	A916-04	140	SCREW - M/H (M6*P1.0*L15)	2	002-203-023
069R	WASHER - SP (M6)	15	003-302-011	141	WASHER - F (D20*D6.3*T1.5)	2	003-301-043
070	NUT - H/N (M8)	2	001-101-080	142	AXLE	1	095-613-320
071	WASHER - F (D17*D8.3*T2)	4	003-301-038	200	END CAP	2	A933-41
072	BOTTLE HOLDER BRACKET	1	197-910-110	201	RUBBER GRIP	2	S956-201
073	FOAM STRIP	1	091-057-010	202	SCREW - H (M5*L5)	4	002-204-064
074	SCREW - B/H (M8*P1.25*L20)	2	002-205-820	203	HANDLEBAR RING	2	A931-40
076	RUBBER FOOT	3	A911-10	205	SCREW - M/H (M8*P1.25*L25)	8	002-203-061
078R	PASTIC RIVET	6	000-076-990	206	WASHER - SP (M8)	8	003-302-010
079	ISOLATOR	2	S912-085	209	SEAT HANDLE	1	S925-219
080	KEVLAR BELT - (120.1")	1	100-005-321	210	ADJUSTMENT HANDLE	1	095-650-070
081	NUT - H/N (M10)	6	001-101-030	211	SCREW - M/H (M6*P1.0*L15)	1	002-203-023
082	WASHER - F (D16*D10.2*T1.0)	12	003-301-141	212	WASHER - F (D20*D6.3*T1.5)	1	003-301-043
083	WASHER - SP (M10)	6	003-302-008	213	BUSHING	1	092-515-020
084	SCREW - B/H (M10*P1.5*L35)	6	002-230-035	214	AXLE	1	092-513-100
086	SCREW - B/H (M6*P1.0*L10)	2	002-205-610	215	AXLE CONNECTOR	1	A956-67
089	STICKER - USAGE	1	S956-089	216	SPRING	1	095-604-030
090	STICKER - WARNING	1	DF-101-008	217	ADJUSTMENT PIN	1	095-613-120
092	FRAME COVER - TOP	1	198-030-010	219	SCREW - M/H (M6*P1.0*L10)	2	002-220-612
093	COVER SCREW - (M6*P1.0*35)	21	002-213-036	220	SCREW - M/H (M6*P1.0*L15)	4	002-203-023
094	COVER WASHER - (D21.5*10.5)	17	DF-101-030A	221	METAL COVER - GREY	1	195-610-32K
094R	SPACER	4	098-013-100	221R	SNAP RING - (7MM)	2	004-402-004

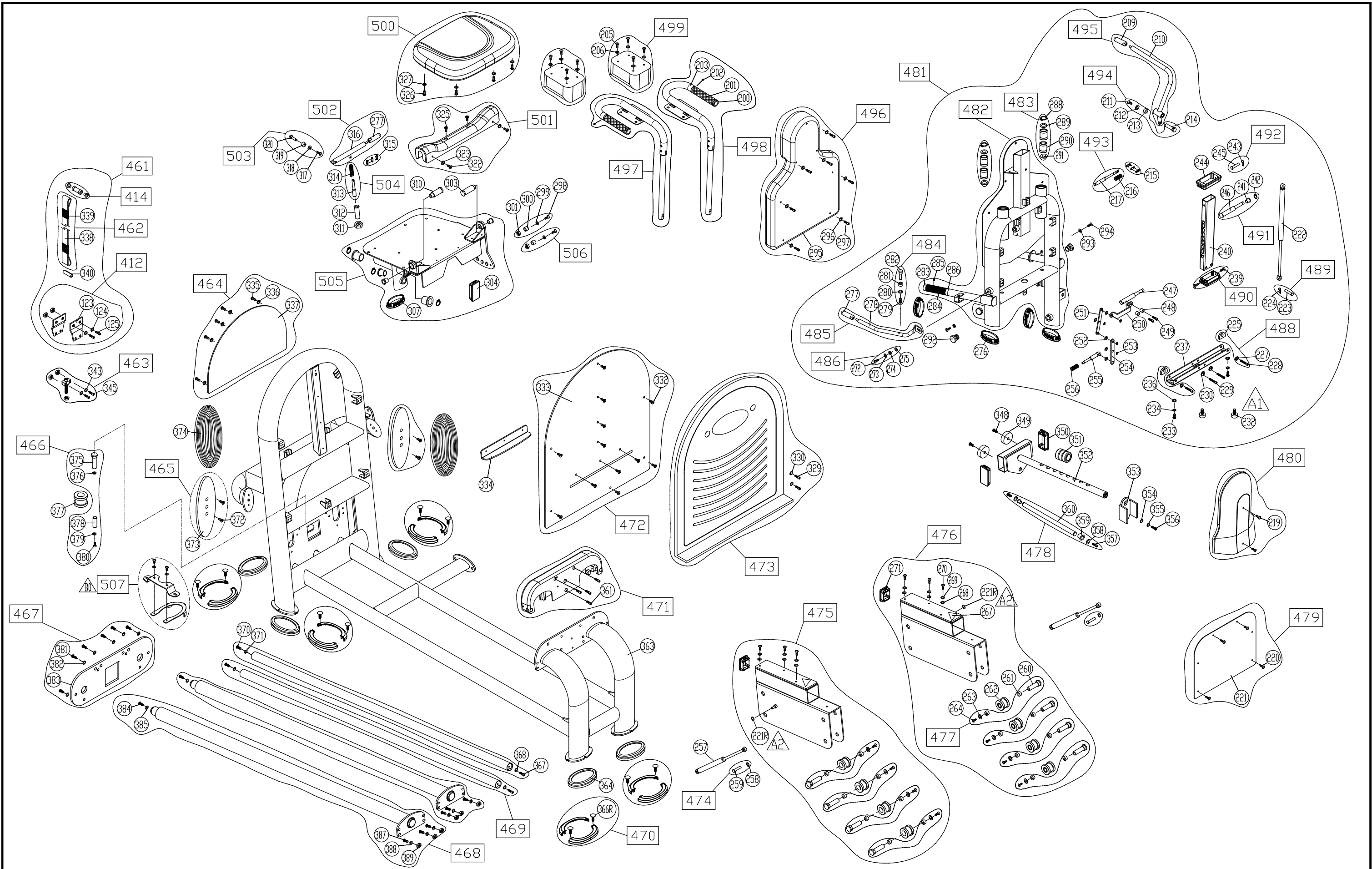
BBL	Description	QTY	Part Number	BBL	Description	QTY	Part Number
222	GAS SHOCK - 45LB	1	A956-57	279	SCREW - B/H (M5*P0.8*L15)	1	002-205-516
223	PIN	1	096-113-130	280	WASHER - F (D15*D6.5*T3.0)	1	003-301-004
224	SNAP RING - (7MM)	1	004-402-004	281	BUSHING	1	DF-101-130B
225	GUIDE BRACKET	2	195-610-440	282	PIN	1	095-613-331
227	WASHER - SP (M8)	2	003-302-010	283	END CAP	2	DF-103-178
228	SCREW - B/H (M8*P1.25*L55)	2	002-230-850	284	RUBBER GRIP	2	S956-284
229	PIN	2	095-613-391	285	SCREW - H (M5*L5)	2	002-204-064
230	SNAP RING - (7MM)	1	004-402-004	286	HANDLEBAR RING	2	A931-40
232	STOPPER	2	P715-142A	288	SNAP RING - (RTW-42)	2	004-401-022
233	SCREW - B/H (M10*P1.5*L25)	2	002-230-025	289	WASHER - (D42*D32.5*T1)	2	103-301-113
234	WASHER - SP (M10)	2	003-302-008	290	LINEAR BEARING	4	000-004-710
236	WASHER - (D26*D10.3*T3.0)	2	103-301-116	291	WASHER - (D40*T27.5*T3.0)	2	103-301-142
237	GUIDE PLATE	1	A956-90	292	CAP	2	C575U-436
239	SCREW - M/P (M4*L8)	4	002-210-001	293	WASHER - F (D22*D8.2*T2)	2	003-301-042
240	SHOULDER POST TUBE	1	A956-62	294	BOLT - H (10MM M8*L20)	2	002-206-073
241	BUSHING	1	095-613-370	296	WASHER - SP (M8)	7	003-302-010
242	SNAP RING - (7MM)	1	004-402-004	297	SCREW - M/H (M8*P1.25*L25)	7	002-203-061
243	SNAP RING - (7MM)	1	004-402-004	298	SCREW - B/H (M8*P1.25*L20)	2	002-205-820
244	SHOULDER POST TUBE CAP	1	S956-244	299	WASHER - (D13*D8.2*T1.0)	2	003-301-119
245	PIN	1	095-613-460	300	STOPPER	2	DF-100-095
246	PIN	1	095-613-360	301	NUT - H/N (M8)	2	001-101-080
247	PIN	1	A956-72	303	AXLE	1	A956-96
248	BUSHING	2	095-615-020	304	END CAP	1	A956-41
249	SCREW - M/H (M6*P1.0*L15)	2	002-203-023	307	END CAP	1	S912-183
250	ADJUSTMENT BRACKET	1	A956-76	310	AXLE	1	A956-107
251	ADJUSTMNET CONNECTOR	1	A956-74	311	NUT - H (M20*P1.5*H16)	1	001-101-181
252	WASHER - N (D13*D6.5*T1)	5	003-307-011	312	SHEATH	1	A956-93
253	SNAP RING - (5MM)	4	004-402-002	313	PIN	1	095-613-250
254	ADJUSTMNET CONNECTOR	1	A956-75	314	SPRING	1	095-604-011
255	ADJUSTMENT PIN	1	A956-80	315	AXLE CONNECTOR	1	A956-67
256	SPRING	1	A956-81	316	ADJUSTMENT HANDLE	1	095-650-131
257	GAS SHOCK - 165LB	2	A956-71A	317	SCREW - B/H (M5*P0.8*L15)	1	002-205-516
258	COTTER PIN	2	004-405-031	318	WASHER - F (D15*D6.5*T3.0)	1	003-301-004
259	PIN	2	DF-108-066	319	BUSHING	1	095-613-440
260	AXLE	8	095-613-090	320	PIN	1	095-613-450
261	ROLLER BUSHING	16	095-615-010	322	SCREW - M/H (M6*P1.0*L20)	2	T645-566
262	ROLLER	8	095-630-020	323	WASHER - (D24*D7*T1.0)	2	110-710-020
263	WASHER - F (D26*D8.3*T3)	8	003-301-027	325	SCREW - M/H (M6*P1.0*L20)	2	T645-566
264	SCREW - B/H (M8*P1.25*L20)	8	002-205-820	326	SCREW - M/H (M8*P1.25*L25)	4	002-203-061
267	STICKER - WARNING	3	082-063-030	327	WASHER - SP (M8)	4	003-302-010
268	WASHER - F (D22*D8.2*T2)	6	003-301-042	329	SCREW -B/H (M8*P1.25*L18)	2	002-205-813
269	WASHER - SP (M8)	6	003-302-010	330	WASHER - F (D17*D8*T1.5)	2	003-301-024
270	BOLT - H (10MM M8*L20)	6	002-206-073	332	SCREW - M/H (M6*P1.0*L15)	12	002-203-023
271	END CAP	2	A956-38	333	FOOT PLATE FRAME - GREY	1	195-610-07K
272	SCREW - B/H (M5*P0.8*L15)	1	002-205-516	334	FOOT PLATE FRAME BRACKET - GREY	1	S956-334G
273	WASHER - F (D15*D6.5*T3.0)	1	003-301-004	335	SCREW - M/H (M6*P1.0*L15)	5	002-203-023
274	WASHER - W (D12.7*D8.5)	1	003-303-005	336	SINGLE-SIDED TAPE	5	000-065-350
275	WASHER - F (D22*D8.2*T2)	1	003-301-042	337	FRAME COVER - GREY	1	195-610-28K
276	END CAP	4	S912-183	338	KEVLAR BELT - (66.6")	1	100-005-051
277	SEAT HANDLE	2	S925-219	339	ISOLATOR	2	S912-085
278	ADJUSTMENT HANDLE	1	095-650-060	340	BELT ROTATOR PIN A	1	S912-115

BBL	Description	QTY	Part Number	BBL	Description	QTY	Part Number
343	WASHER - SP (M8*T2.0)	6	003-302-006	411	KEVLAR BELT & ISOLATOR - (120.1")	1	195-991-110
345	SCREW - B/H (M8*P1.25*L40)	2	002-205-842	412	BELT TIGHTENING HARDWARE A	2	A911-057
348	SCREW - B/H (M8*P1.25*L35)	2	002-230-831	413	ADJUSTMENT HARDWARE	1	A911-35
349	RUBBER BUMPER	2	A956-42	414	BELT ROTATOR	2	A956-17
350	END CAP	2	A956-41	419	WEIGHT PLATE - 10KG	19	S956-419
351	SHOCK ABSORBER	3	A956-43	421	PIN	4	A911-44
352	SEAT ADJUSTMENT ROD - GREY	1	S956-352G	422	CABLE BRACKET	1	S972-406
353	SEAT ADJUSTMENT ROD BRACKET	1	A956-40	423	WEIGHT PLATE BRACKET	1	S912-423
354	GASKET	1	195-610-510	424	COVER BRACKET - GREY	2	195-991-24K
355	WASHER - SP (M10)	1	003-302-008	425	CUSHION RING	2	S911-425
356	SCREW - M/H (M10*L30)	1	002-205-330	426	SELECTOR FORK - W/CORD	1	A911-50
357	SCREW - M/H (M6*P1.0*L15)	2	002-203-023	427	SELECTOR FORK - NO CORD	1	190-591-530
358	WASHER - F (D20*D6.3*T1.5)	2	003-301-043	428	BOTTLE HOLDER (NEW)	1	197-691-280
359	BUSHING	2	095-630-080	429	MAIN FRAME - GREY	1	195-991-29K
360	GUIDE ROD	1	095-613-141	430	RUBBER FOOT COVER	3	S911-430
361	SCREW - B/H (M6*P1.0*L35)	4	002-205-632	431	HARDWARE SET	6	S956-431
363	FRAME - GREY	1	195-650-22K	432	PULLEY HARDWARE	1	S956-432
364	RUBBER FOOT	5	A911-10	433	AXLE	1	S956-433
366R	PASTIC RIVET	10	000-076-990	434	BELT PULLEY AXLE	3	S911-431
367	SCREW - B/H (M8*P1.25*L25)	2	002-205-822	435	BRACKET PIN	1	S935-440
368	WASHER - SP (M8)	2	003-302-010	436	BELT BRACKET	2	A915-42
370	SCREW - B/H (M8*P1.25*L35)	2	002-230-831	437	AXLE	2	A915-44
371	WASHER - F (D26*D8.3*T3)	2	003-301-027	460	COVER HARDWARE	17	191-091-010
372	SCREW - B/H (M8*P1.25*L15)	4	002-202-042	461	BELT & HARDWARE	1	195-691-360
373	FOOTPLATE - GREY	2	195-610-47K	462	KEVLAR BELT & ISOLATOR - (66.6")	1	195-991-620
374	RUBBER PAD	2	A911-12	463	ADJUSTMENT HARDWARE	1	S956-463
375	PULLEY AXLE	1	090-513-111	464	FRAME COVER - GREY	1	S956-464G
376	O-RING	1	000-076-688	465	FOOTPLATE - GREY	2	S956-465G
377	BELT PULLEY	1	A911-03	466	BELT PULLEY AXLE	1	S911-431
378	BUSHING	1	090-515-050	467	GUIDE RAIL SET PLATE - GREY	1	S956-467G
379	WASHER - F (D26*D8.3*T3)	1	003-301-027	468	GUIDE RAIL - LARGE	2	S956-468
380	SCREW - B/H (M8*P1.25*L20)	1	002-205-820	469	GUIDE RAIL - SMALL	2	S956-469
381	SCREW - B/H (M8*P1.25*L25)	6	002-205-823	470	RUBBER FOOT COVER	5	S911-430
382	WASHER - F (D26*D8.3*T3)	8	003-301-027	471	RUBBER COVER	1	S956-471
383	GUIDE RAIL SET PLATE - GREY	1	195-610-60K	472	FOOT PLATE FRAME - GREY	1	S956-472G
384	SCREW - M/H (M10*L30)	2	002-205-330	473	RUBBER COVER	1	S956-473
385	WASHER - (D44*D10.5*T3.0)	2	A983-01	474	PIN	2	A956-70
387	SCREW - M/H (M10*L30)	6	002-205-330	475	SEAT ROLLER - LEFT - GREY	1	S956-475G
388	WASHER - SP (M10)	6	003-302-008	476	SEAT ROLLER - RIGHT - GREY	1	S956-476G
389	NUT - H/N (M10)	6	001-101-030	477	ROLLER AXLE	8	S956-477
400	COVER ASSEMBLY	1	195-991-060	478	GUIDE ROD	1	A956-44
401	TOP COVER	1	S916-401	479	METAL COVER - GREY	1	S956-479G
402	FRONT COVER ASSEMBLY	1	195-991-040	480	HEAD REST BACK COVER	1	S956-480
403	FRONT COVER - UPPER	1	S956-403	481	SEAT FRAME ASSEMBLY - GREY	1	195-991-81K
404	FRONT COVER - LOWER RIGHT	1	S956-404	482	SEAT FRAME - GREY	1	195-691-18K
405	FRONT COVER - LOWER LEFT	1	S956-405	483	LINEAR BEARING	2	A956-78
406	REAR COVER ASSEMBLY	1	S916-406	484	HANDLE AXLE	1	A956-104
407	REAR COVER - UPPER	1	S916-407	485	ADJUSTMENT HANDLE	1	A956-83
408	REAR COVER - LOWER	1	S916-408	486	HANRDWARE SET	1	S956-486
409	PLATE STICKER SET	1	S972-408	488	HARDWARE SET	2	S956-488
410	BELT & HARDWARE	1	S956-410	489	PIN	1	A961-36

BBL	Description	QTY	Part Number	BBL	Description	QTY	Part Number
490	SHOULDER POST CAP	1	S956-490				
491	PIN	1	A956-65				
492	PIN	1	S956-492				
493	AXLE	1	A956-66				
494	PIN	1	A925-47				
495	ADJUSTMENT HANDLE	1	A956-69				
496	BACK CUSHION - BLACK	1	S956-496B				
497	SHOULDER PRESS - LEFT - GREY	1	S956-497G				
498	SHOULDER PRESS - RIGHT - GREY	1	S956-498G				
499	SHOULDER CUSHION - BLACK	2	A956-88B				
500	SEAT CUSHION - BLACK	1	S956-500B				
501	RUBBER COVER	1	S956-501				
502	ADJUSTMENT HANDLE	1	A956-94				
503	HARDWARE SET	1	S956-503				
504	SET PIN	1	A956-92				
505	SEAT CUSHION FRAME- GREY	1	S956-505G				
506	STOPPER	2	A956-99				
507	GROUND ANCHORS	1	191-791-960				



CHANGE DATE	CHANGE DESCRIPTION	CHANGE NO.	NAME	 RESTRICTED USAGE , PLEASE DON'T FORWARD TO ANYONE WHO ISN'T AUTHORIZED	DRAWN BY	UNITS	MM	SALES BLOW UP DIAGRAM	DIAGRAM NO.	GHY-F101B-B
2016.01.30	 428 水壺架組修改造型, 取消(75)	05-20150906M	蔡鴻興		VERIFIED BY	QTY	1	XX	MODEL	S956
2016.01.30	 429 總機台設變, 並取消(65)(66)	05-20151001M	葉沛緹			VERSION	B0			
						RATIO	1:16			



CHANGE DATE	CHANGE DESCRIPTION	CHANGE NO.	NAME	 RESTRICTED USAGE , PLEASE DON'T FORWARD TO ANYONE WHO ISN'T AUTHORIZED	DRAWN BY	UNITS	MM	SALES BLOW UP DIAGRAM	DIAGRAM NO.	GHY-F101C-B	
2014.08.20	A1 更換 232 料件, 故取消 231 及 487		尤淑芬			QTY	1				S956
2014.11.21	A2 475 476 各新增 221R *1PCS		尤淑芬			VERSION	B0	XX		MODEL	
2015.12.11	B0 增加機台固定性, 故新增 507	05-20151205M	鄭宜峰			RATIO	1:16				